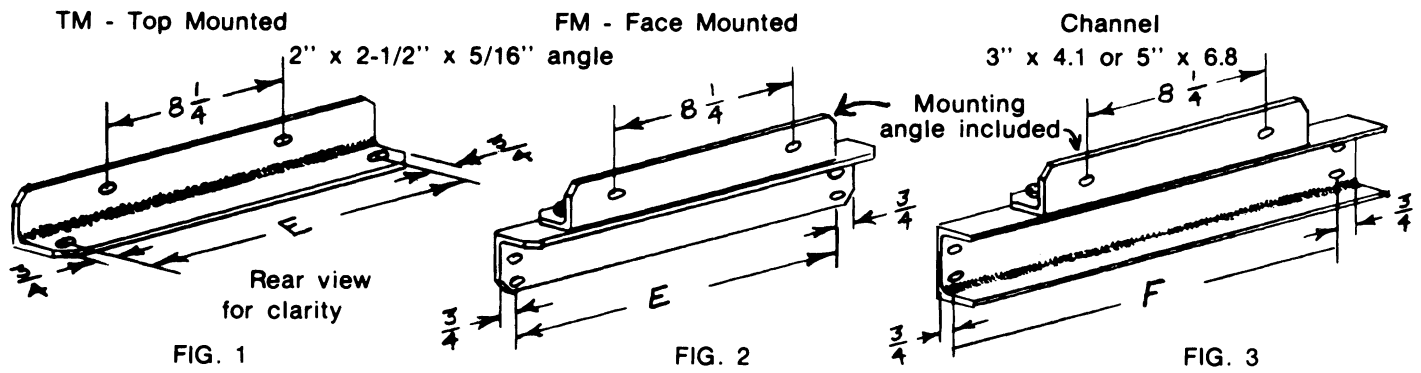


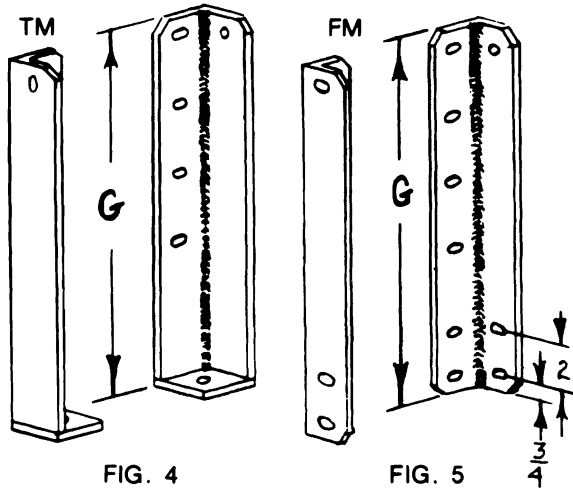
# STANDARD BRACKETS FOR MOUNTING OVERHEAD TYPE PULLOUT HOLDOUT DEVICES

## SUPPORT BRACKETS

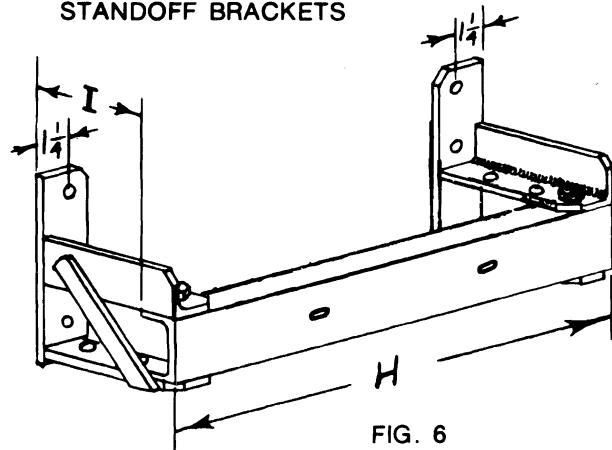


## UPRIGHTS

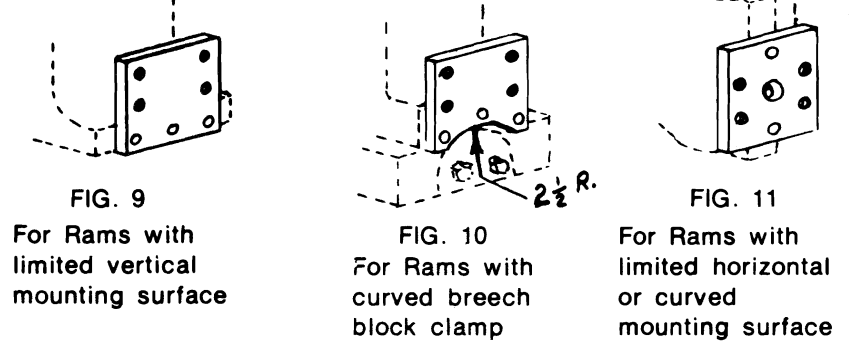
2" x 2" x 1/4" angle



## STANDOFF BRACKETS



## RAM ATTACHMENT PLATES



## MOUNTING BRACES

